

WIDE WATER REEL HOSE REEL

5 year limited warranty

300 psi working pressure

Extend the life and condition of your hose with the SP WIDE WATER hose reel –

- This SP WIDE WATER hose reel comes ready for garden hose
- Unit comes standard with 1/2" inlet - female and 1/2" swivel outlet with 3/4" garden hose threads.
- Adjustable spring tension to prevent backlash while unreeling
- Holds 150 feet of 5/8", garden hose.
- Heavy duty steel welded construction.
- Powder coated baked enamel paint for long lasting finish.
- Easy installation and assembly, comes with mounting template.

Specifications:

Shipping weight 21 lbs

18" High – including base

15 1/2" Diameter

19 1/2" width including the swivel

If you have a question or a problem please call us at

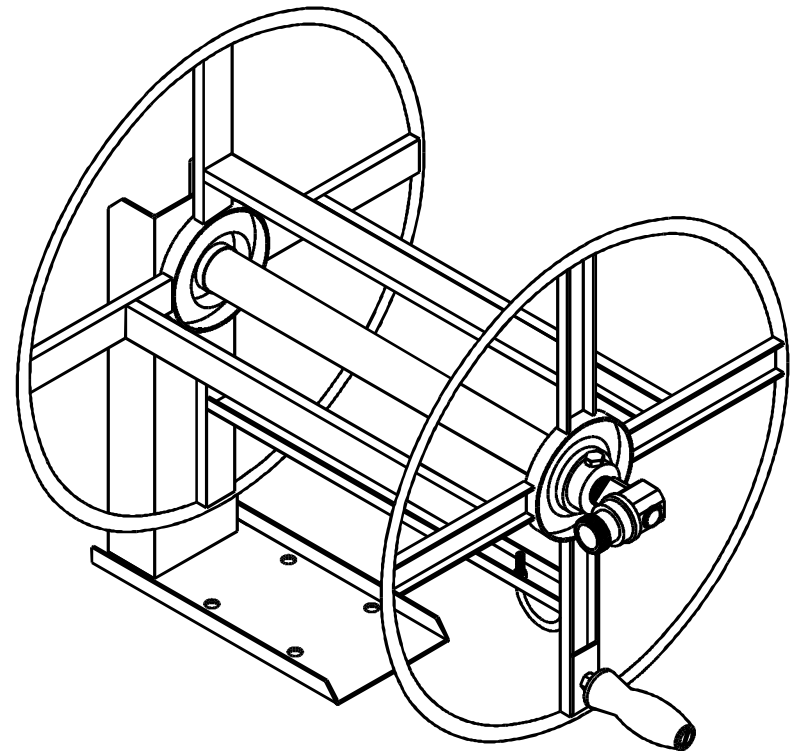
1-800-457-3440

We will answer any question you may have.



1618 Stanford Street, Suite "C", Santa Monica, CA 90404
(310) 449-1492 (800) 457-3440 FAX (310) 449-6912

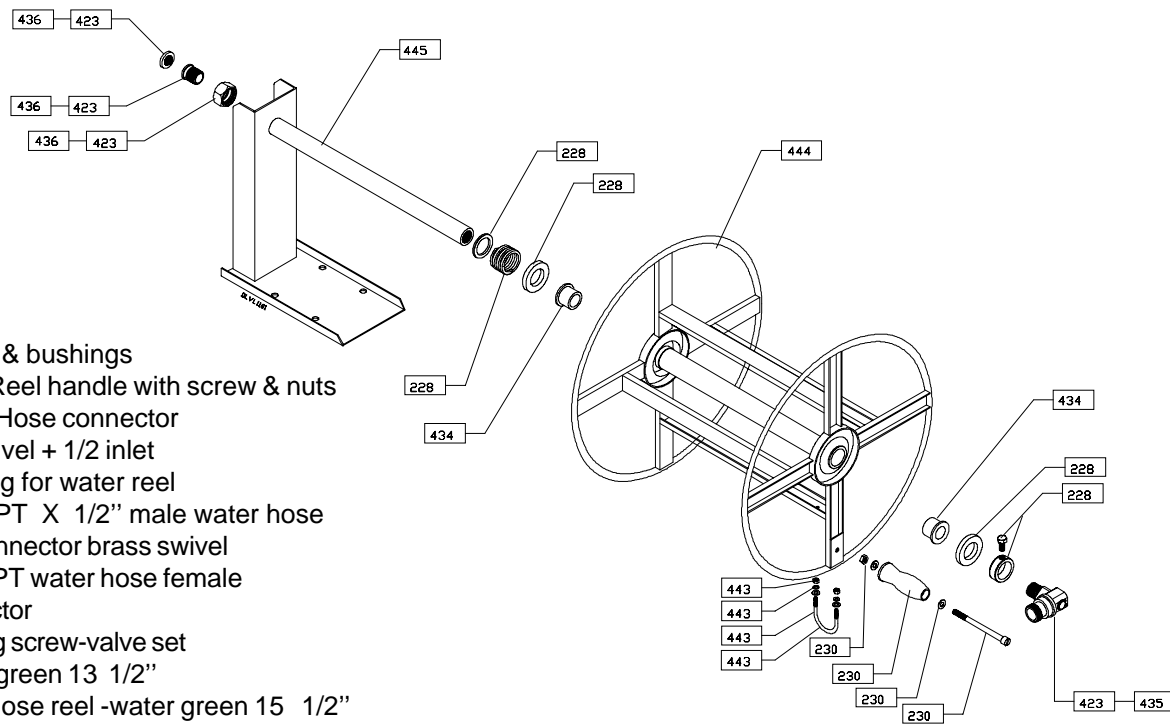
The logo for SP Systems, featuring a stylized 'S' and 'P' with horizontal lines to the left, followed by the word 'Systems' in a bold, sans-serif font with a registered trademark symbol.



SP WIDE WATER Hose Reel

Litho'd in Mexico

Assembly Instructions
BN173.180-1101E
Rev.00



- Kit 228 Spring & bushings
- Kit 230 Hose Reel handle with screw & nuts
- Kit 423 Water Hose connector set-swivel + 1/2 inlet
- Kit 434 Bushing for water reel
- Kit 435 1/2" NPT X 1/2" male water hose 3/4" connector brass swivel
- Kit 436 1/2" NPT water hose female connector
- Kit 443 Holding screw-valve set
- Kit 444 Spool-green 13 1/2"
- Kit 445 Base/hose reel -water green 15 1/2"

Assembly Instructions for the SP WIDE WATER Hose Reel

Tools needed:

1/2" open ended wrench, 5/16" open ended wrench, 1" crescent wrench

1. Unpack the SP WIDE WATER REEL
2. See the diagram – Pull out the reel and the base and the plastic bag. Check to see that you have the following parts:
 - A. 1 metal washer
 - B. 2 plastic washers
 - C. 1 spring
 - D. 1 holding ring with a hex head bolt
 - E. 1 brass 1/2" I.D. swivel with 3/4" garden hose threads.
 - F. Plastic handle with holding screw and nuts.
3. Place the base so that the round pipe is facing upwards.
4. Place the metal washer over the pipe, then place the spring, then one of the plastic washers.
5. Take the hose reel and place it over the pipe, which now becomes the axle for the SP WIDE WATER reel.

NOTE: On one side of the hose reel you will find a threaded plate – this should be facing you during installation. (face up) Plastic handle should be screwed into the holding plate and tightened in place with 1/2" open ended wrench.
6. Place the additional plastic washer on top of the hose reel at the end of the axle; now take the metal ring with the bolt and place it over the end of the axle; DO NOT TIGHTEN AT THIS POINT.
7. Take the brass swivel, which has been precoated with Teflon tape. If you wish you may place additional Teflon tape at this time. Proceed to screw into the end of the axle.
8. Place your hands on the hose reel and press downward putting pressure against the spring. This will put tension on the reel to keep it from unwinding as the hose is pulled. If more tension is needed push down further and hold while you tighten the bolt on the holding ring. Tighten only sufficiently to hold the spool in place. Finish tightening the swivel until fully tightened. At this point you may now fully tighten the bolt on the holding ring.

NOTE: If the nut on the holding ring is tightened to far before the swivel bushing has been fully tightened it may cause an air leak.

The SP WIDE WATER Hose Reel ready for installation.

Installation of the Hose Reel

1. Locate the area where you intend to mount your hose reel and make sure that you have plenty of room on all sides to fully turn the reel while coiling.
2. We have supplied you with a template that you may cut out and place on the area where you wish to mount the SP WIDE WATER Hose Reel. Proceed to drill the holes for the base using a 3/8" drill bit or a 13/32" drill bit. Use 3/8" bolts to secure the base.

Installation of the Hose

1. Take the U shaped bolt provided and place into position. Attach the nuts and tighten slightly. Feed the hose through the U shaped bolt. Take one end of the hose and place it through one of the spokes adjacent to U shaped bolt leaving approximately 15" to form your loop. Now screw hose into 1/2" swivel and tighten; then tighten the bolts on the U shaped clasp to secure the hose in place, do not over tighten. Now begin coiling your hose.
2. Once your loop is formed, the farthest portion of the loop should be approximately 3" from the end of the reel. Take care to lay the hose down evenly. The inside of the loop should be 5"-6" from the center of the axle. Proceed to coil your hose.

Congratulations on your purchase of the SP WIDE WATER, May it bring you many years of use.



This hose reel is not designed for high pressure washers!! This water hose reel should be used with water only! Pressure must not exceed 300 PSI any pressure in excess of this can cause failure and cause severe damage. When using water do not exceed 300 PSI any pressure in excess of this can cause failure and cause severe damage. Anytime service must be provided to any portion of this hose reel, make sure to release all pressure from the hose and equipment before servicing.



SP WIDE WATER Hose Reel mounting template

